



Basic Model : DV-530K/DV-430

DV750K(DV735K)/DV550K(DV535K)/
DV450(DV435)/DV532KV

CHANGE NOTES.

Reference table of contents

SERVICE Manual SUPPLEMENT-1

Supplement to the Service Manual DV-750K(DV735K)/
DV550K(DV535K)/DV450(DV435)/DV532KV

This supplement contains change notes differing from the Service Manual DV-530K/
DV-430 use both this supplement and the Service Manual part number 14739-0090-00.

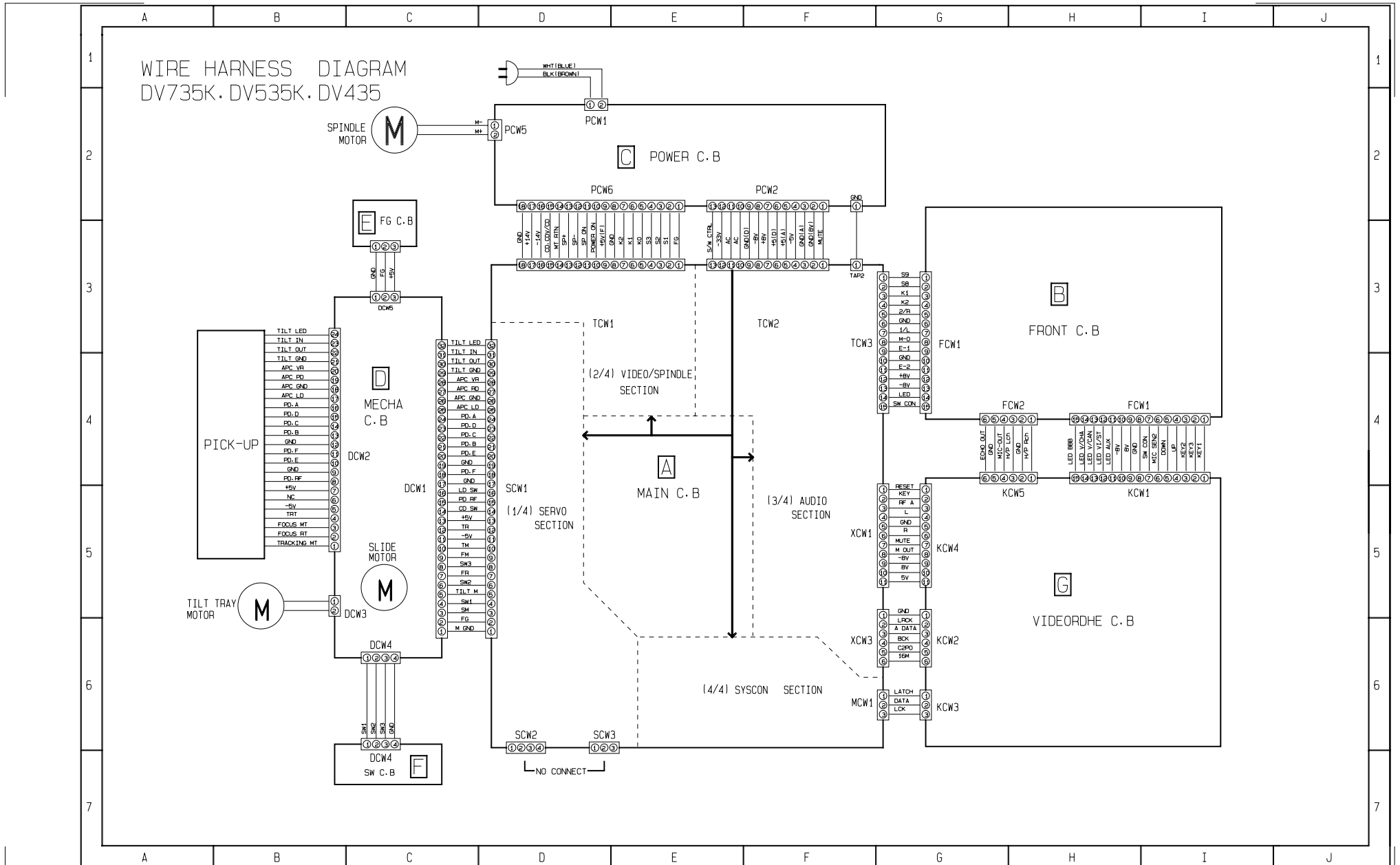


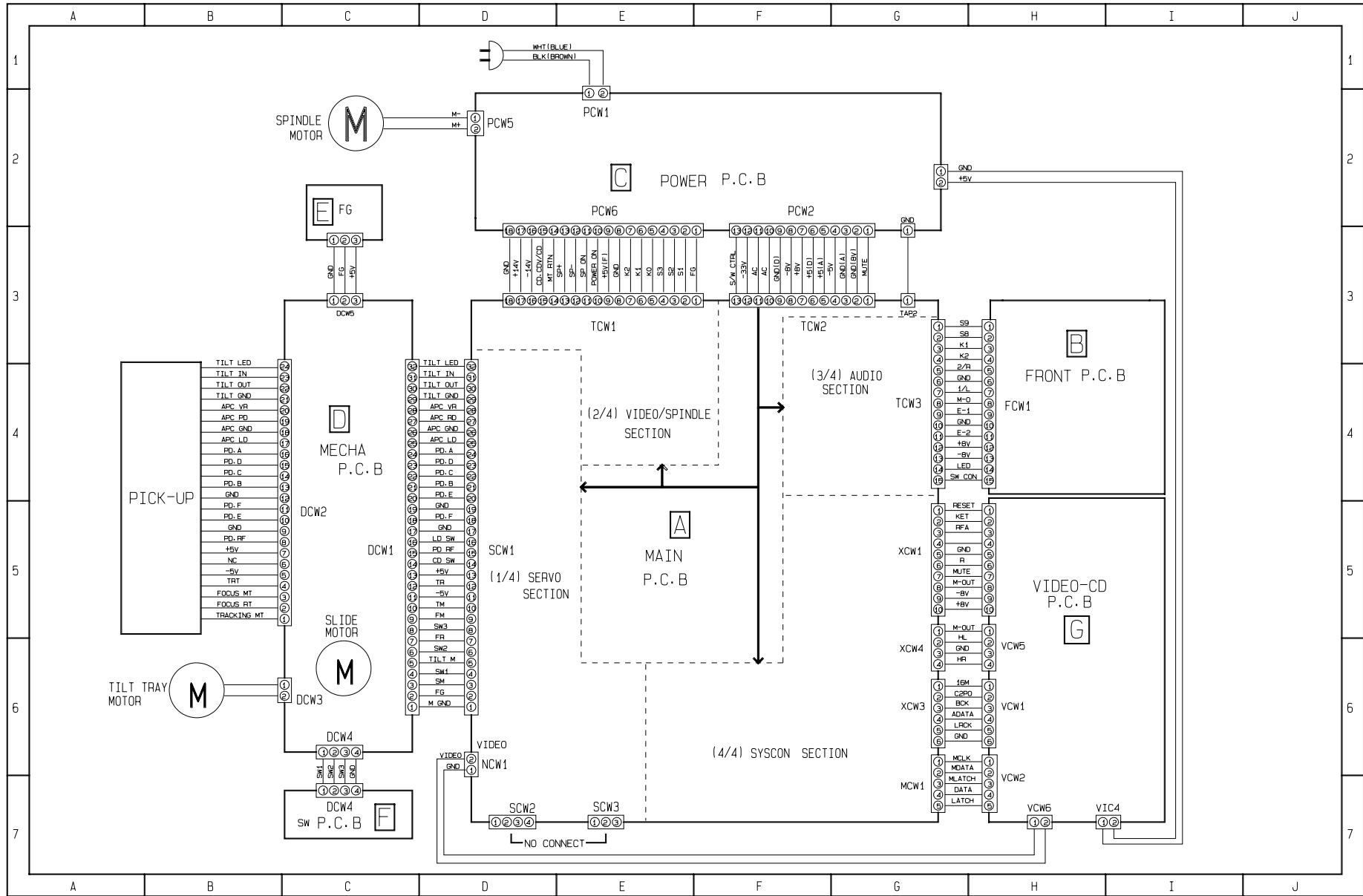
* TABLE OF CONTENTS

- 1. Wiring Diagram1
- 2. Block Diagram3
- 3. Schematic.....5
- 4. PCB Diagram15
- 5. Electrical parts list18
- 6. Exploded view and parts list28
- 7. Troubleshooting33

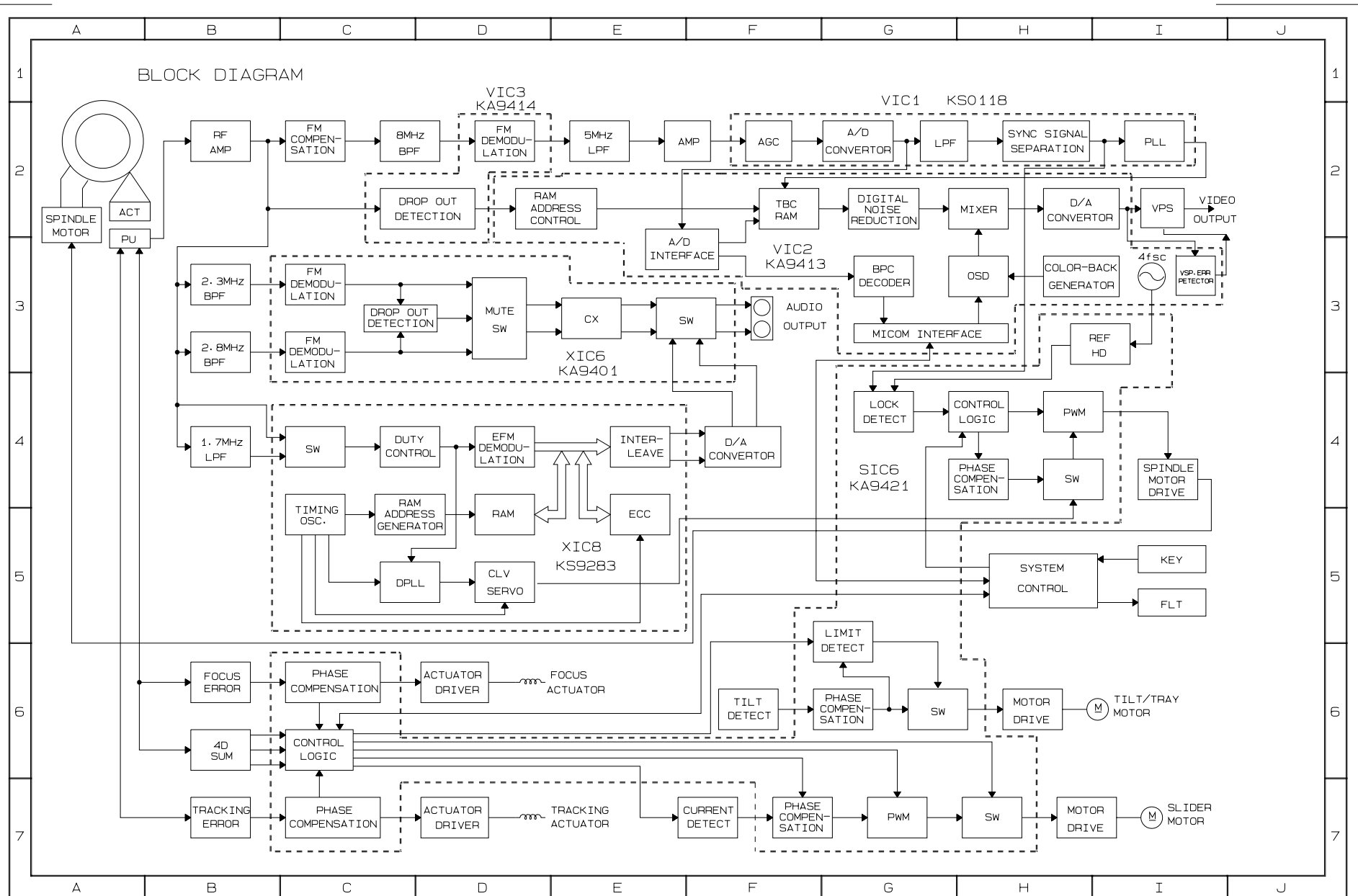
Code No. 14739-0128-00

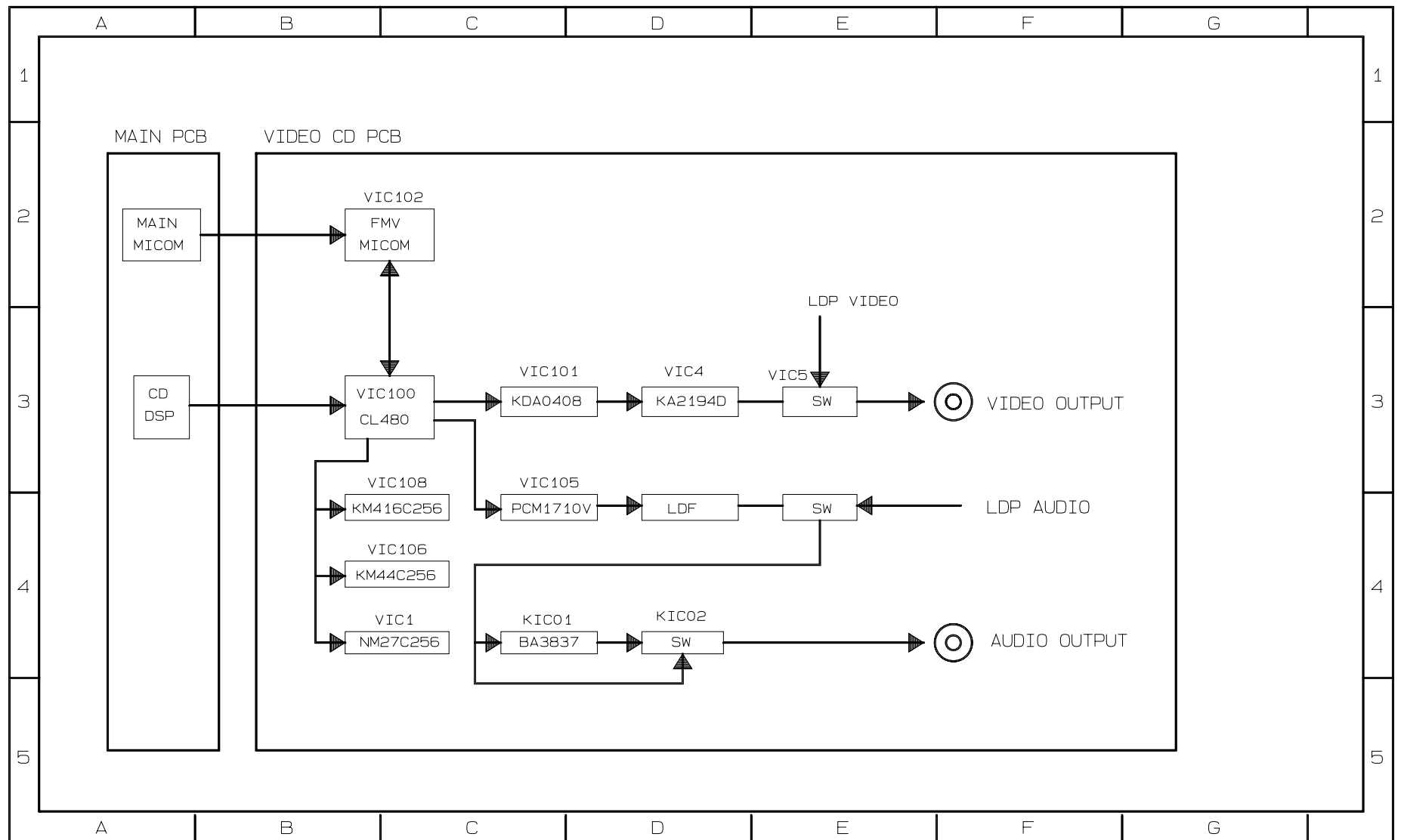
1. Wiring Diagram
 1-1 DV735K/DV535K/DV435





2. Block Diagram
 2-1 DV735K/DV535K/DV435

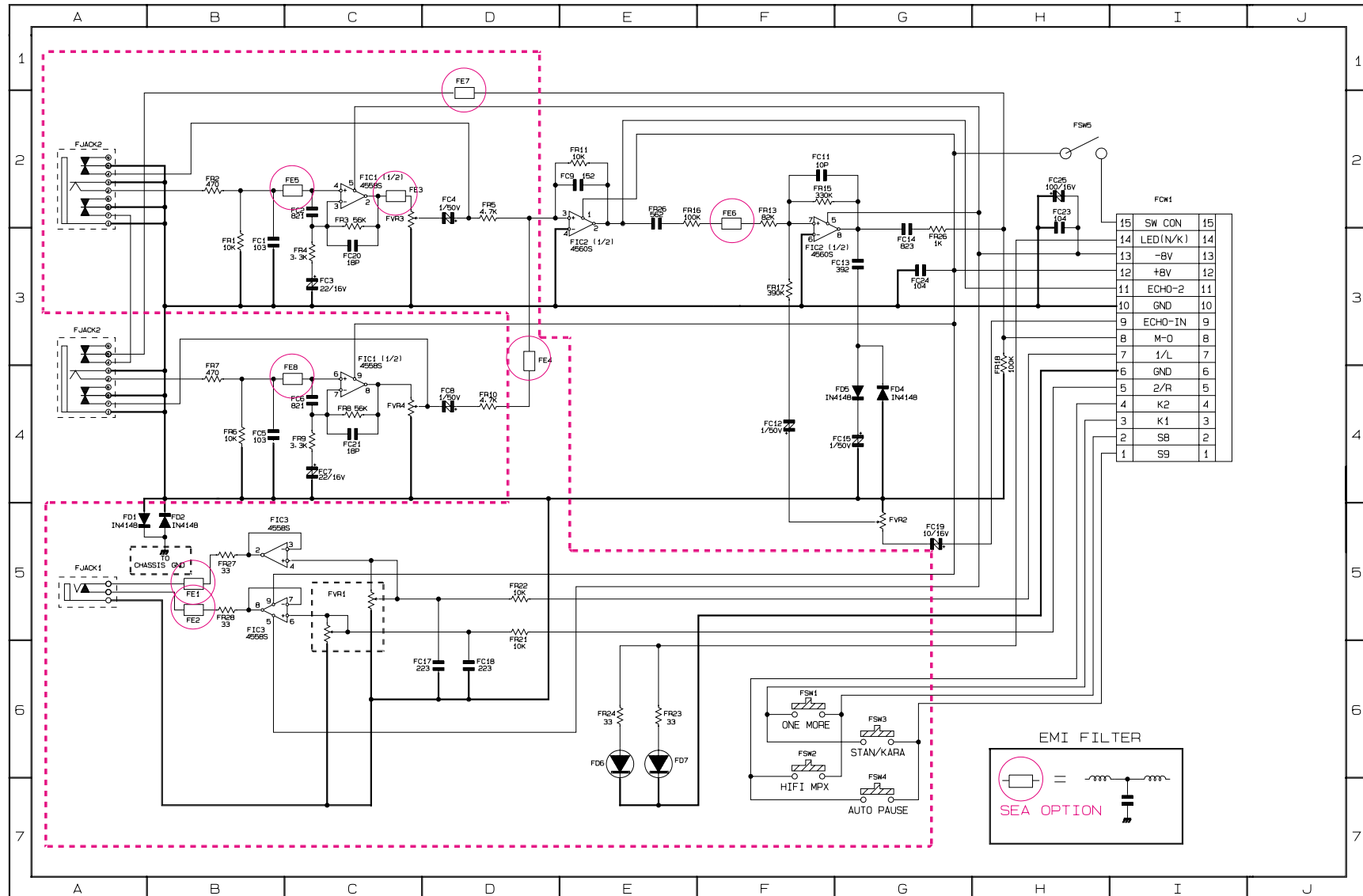


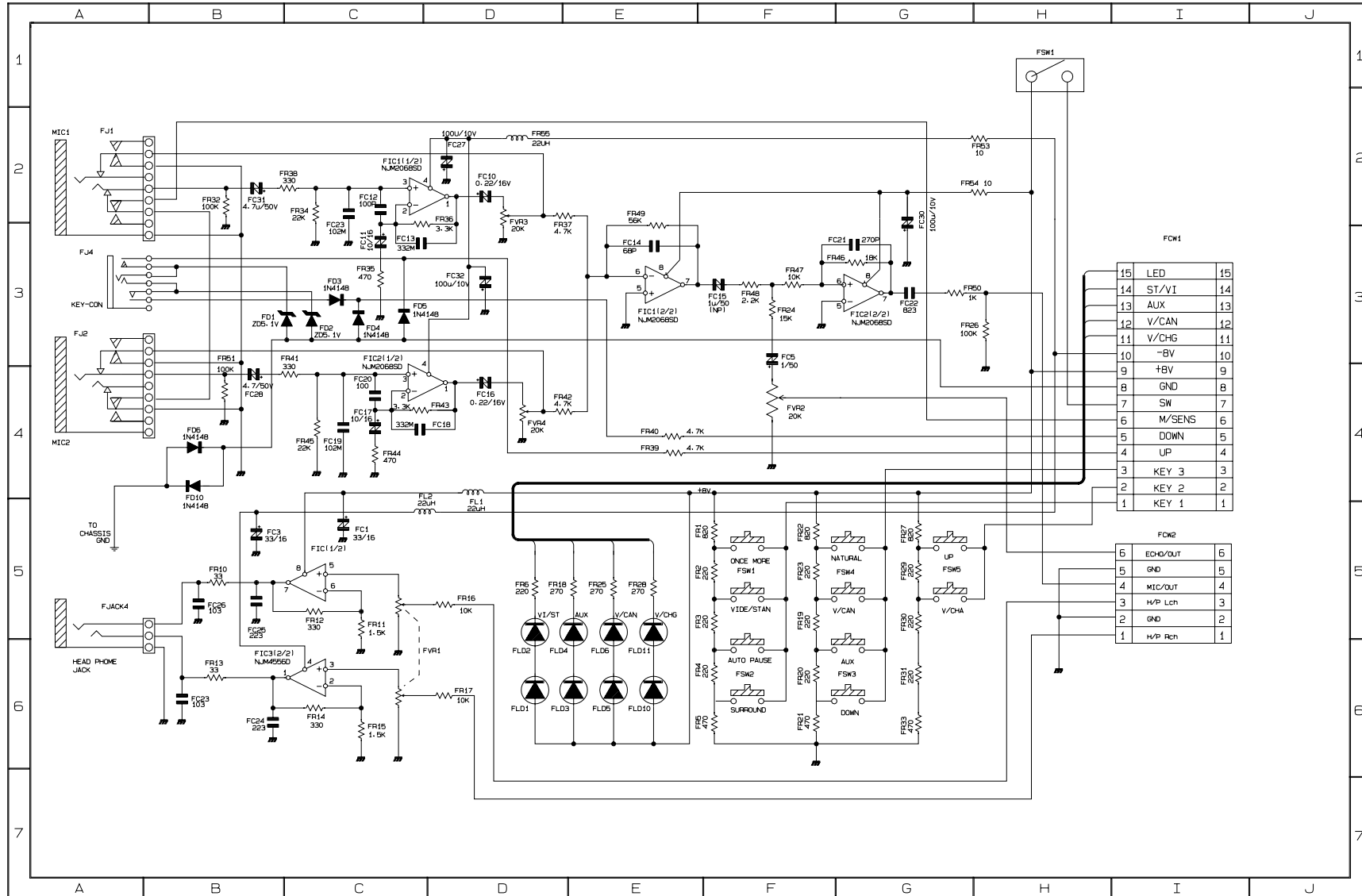


3. SCHEMATIC

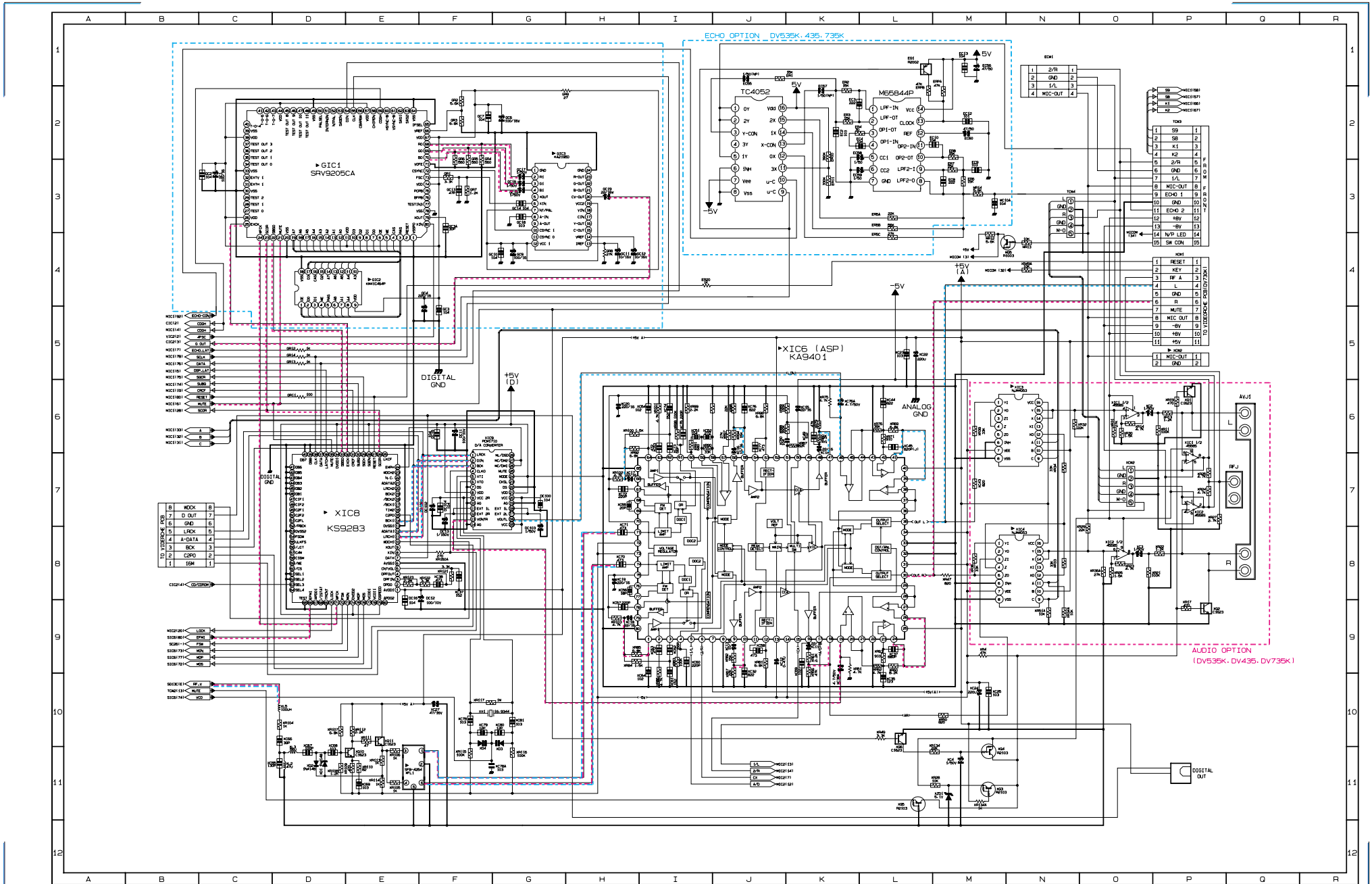
3-1 FRONT

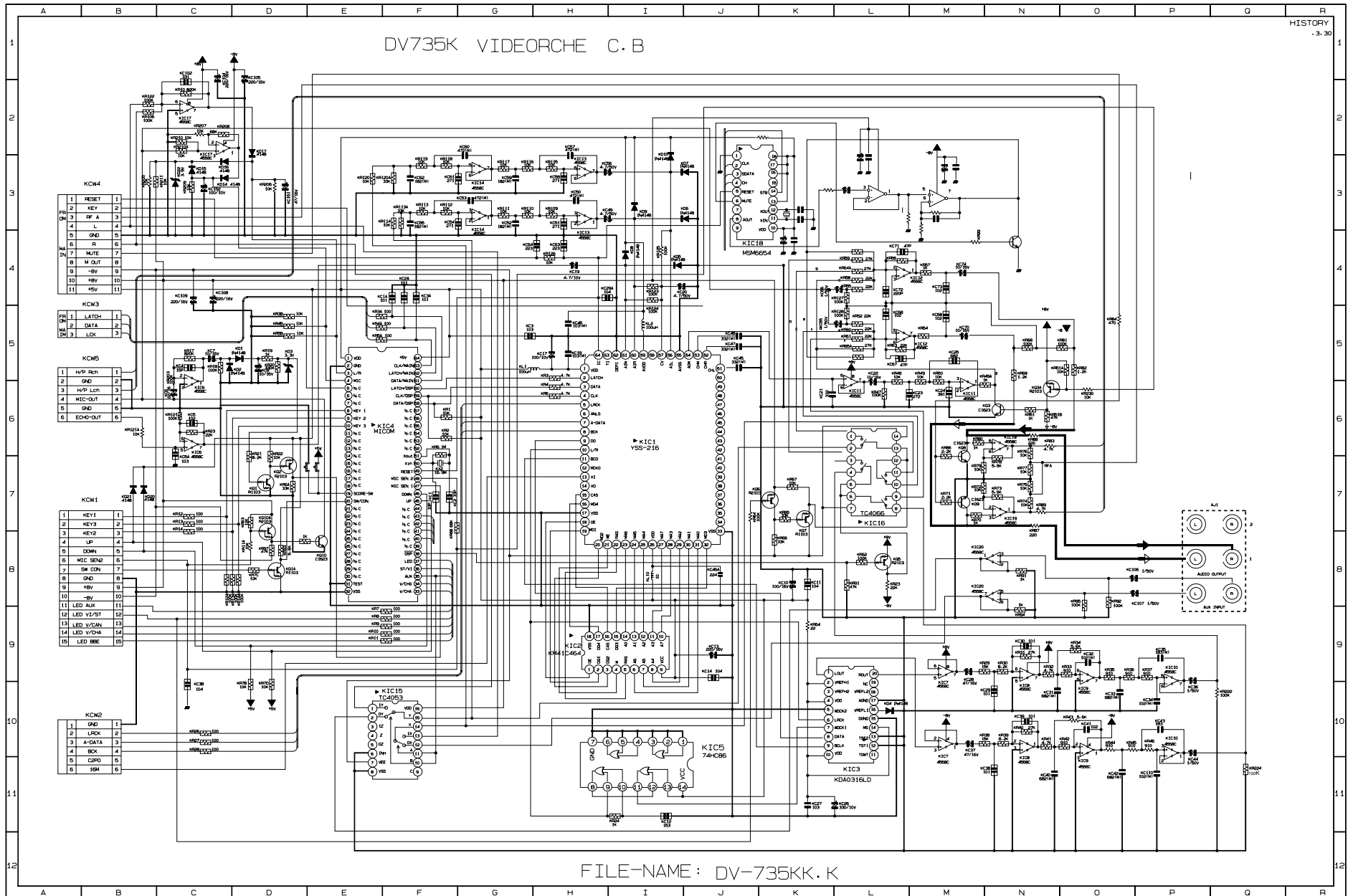
3-1-1 DV535K/DV435/DV532

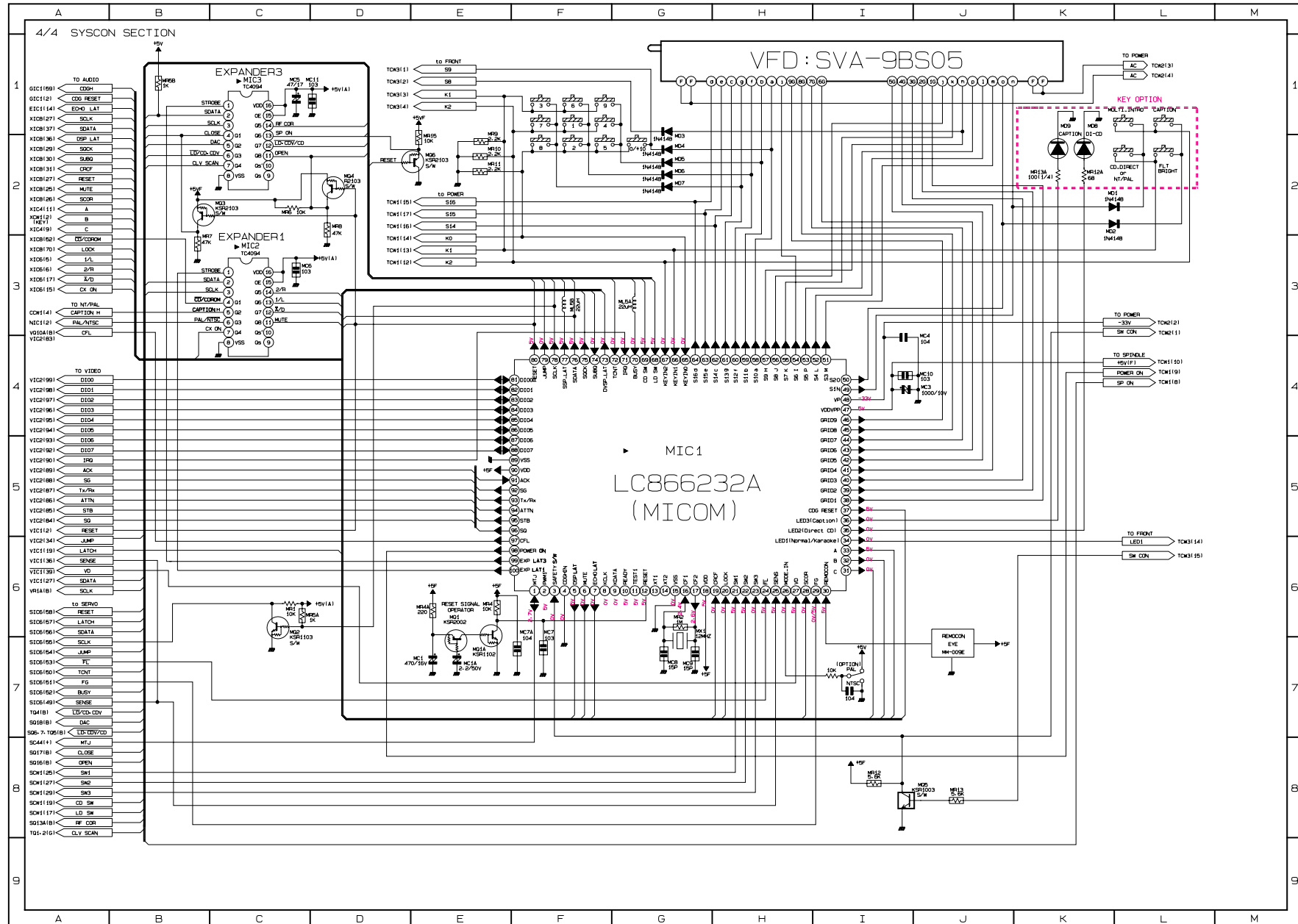


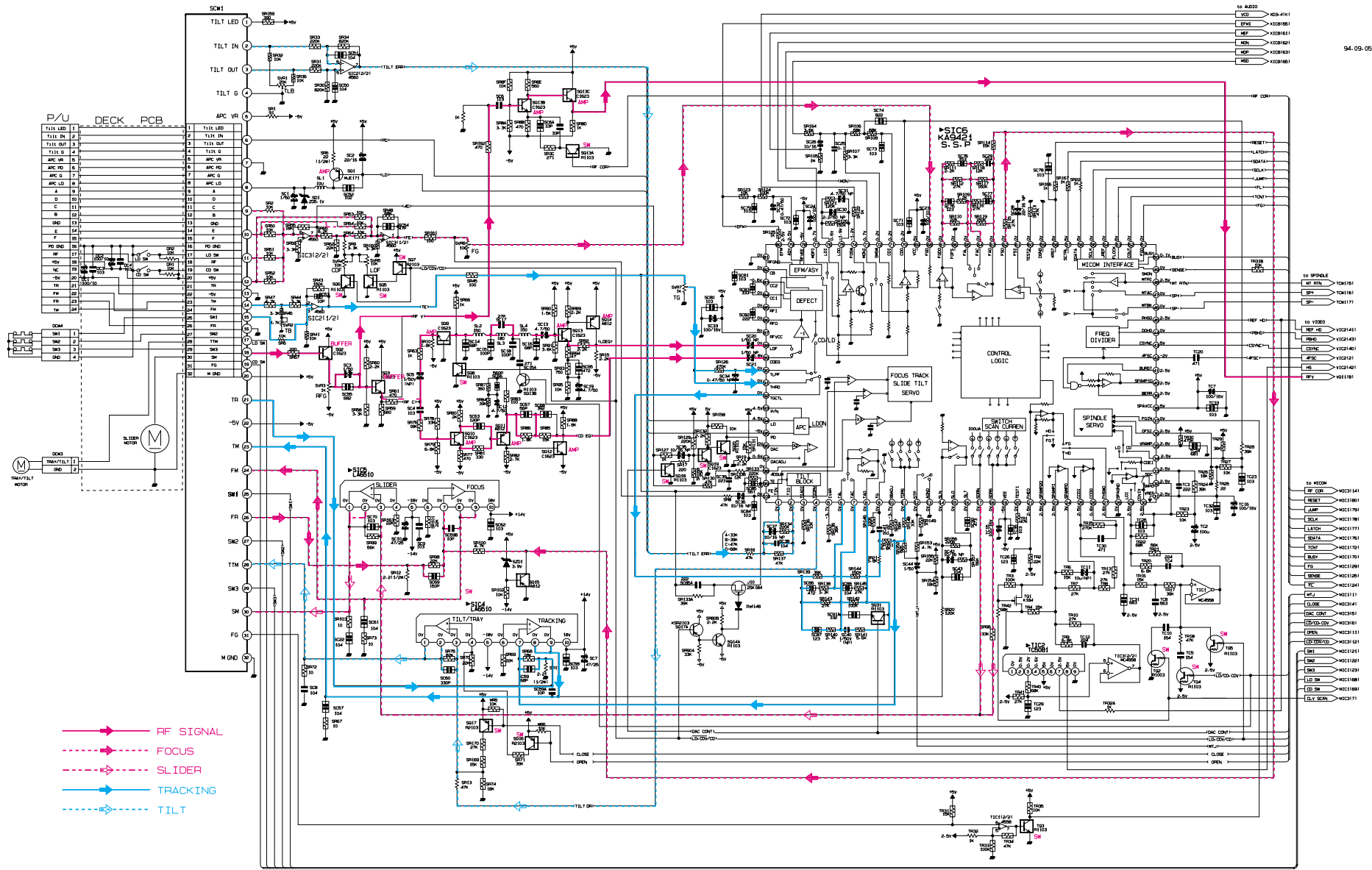


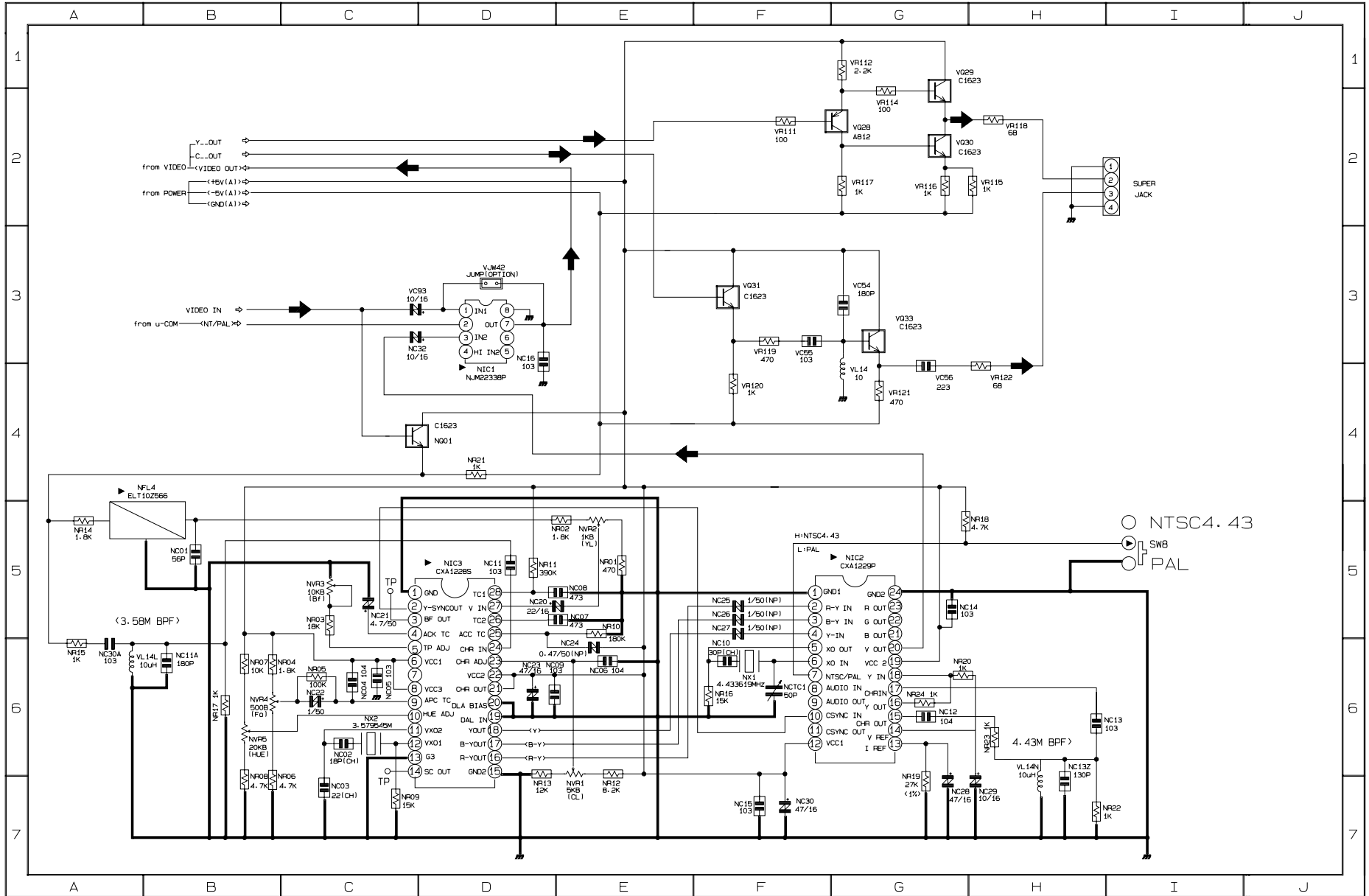
3-2 AUDIO
3-2-1 DV535/DV435/DV532K

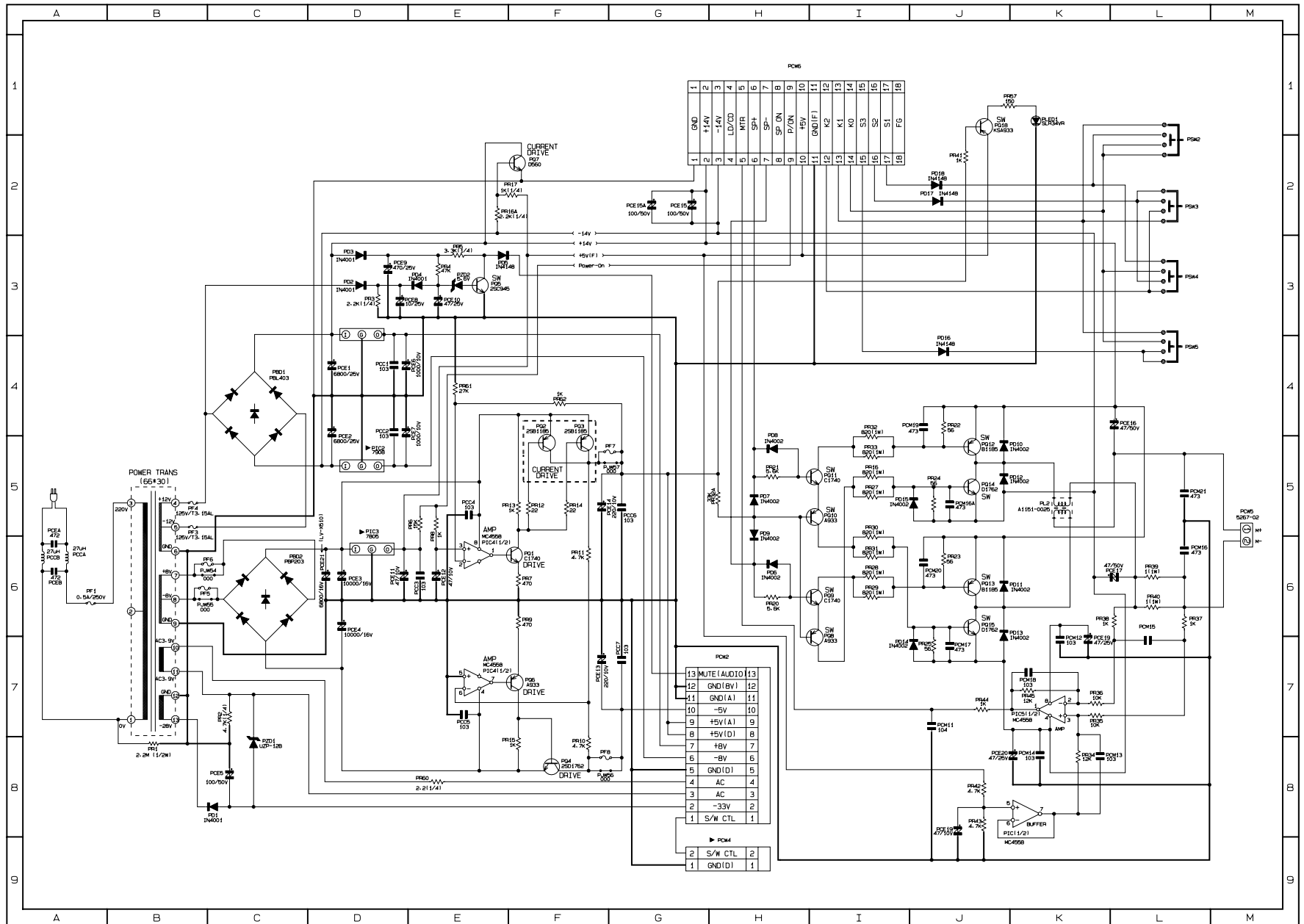


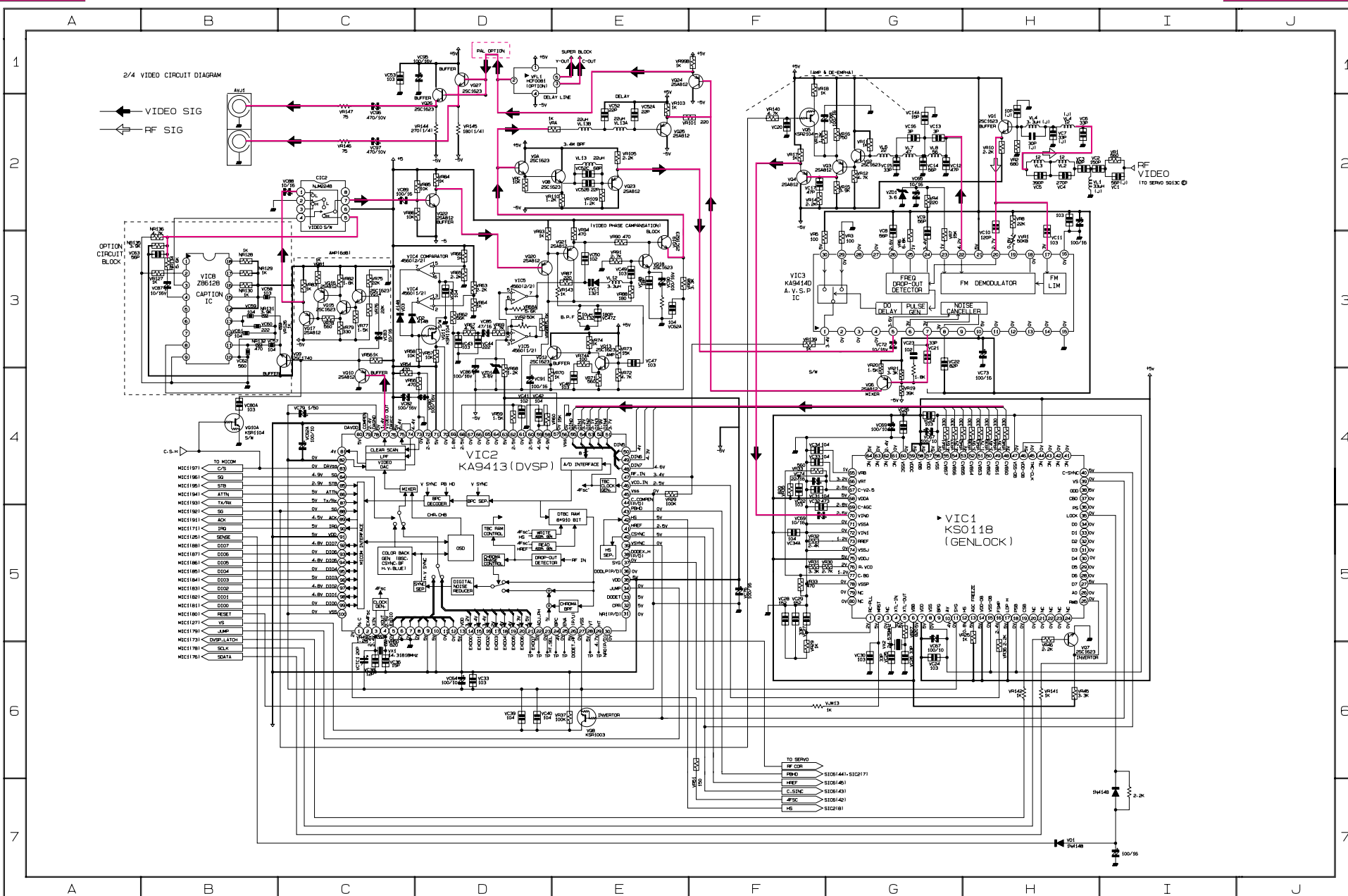


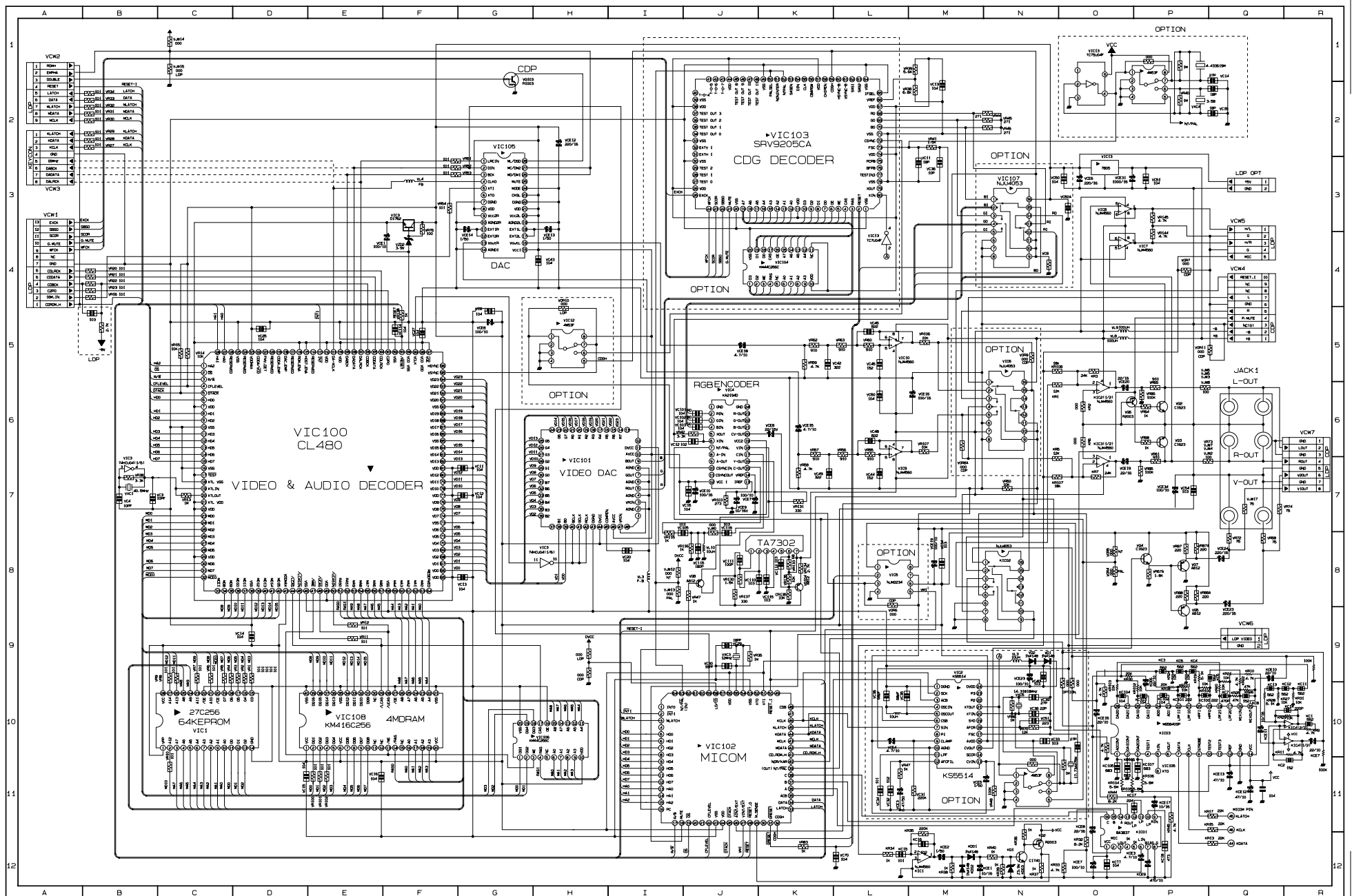








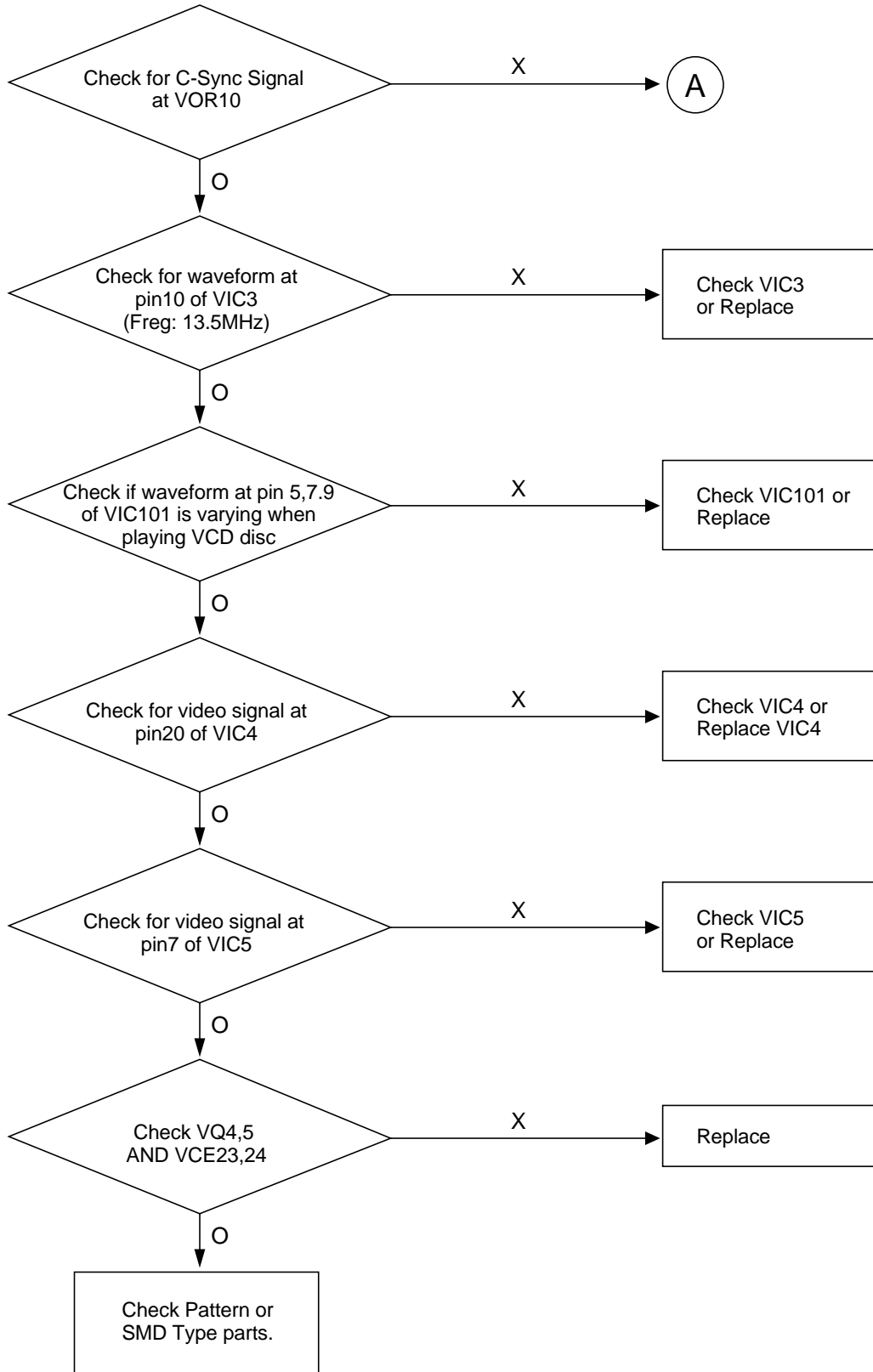




7. Troubleshooting (Option-DV-532KV)

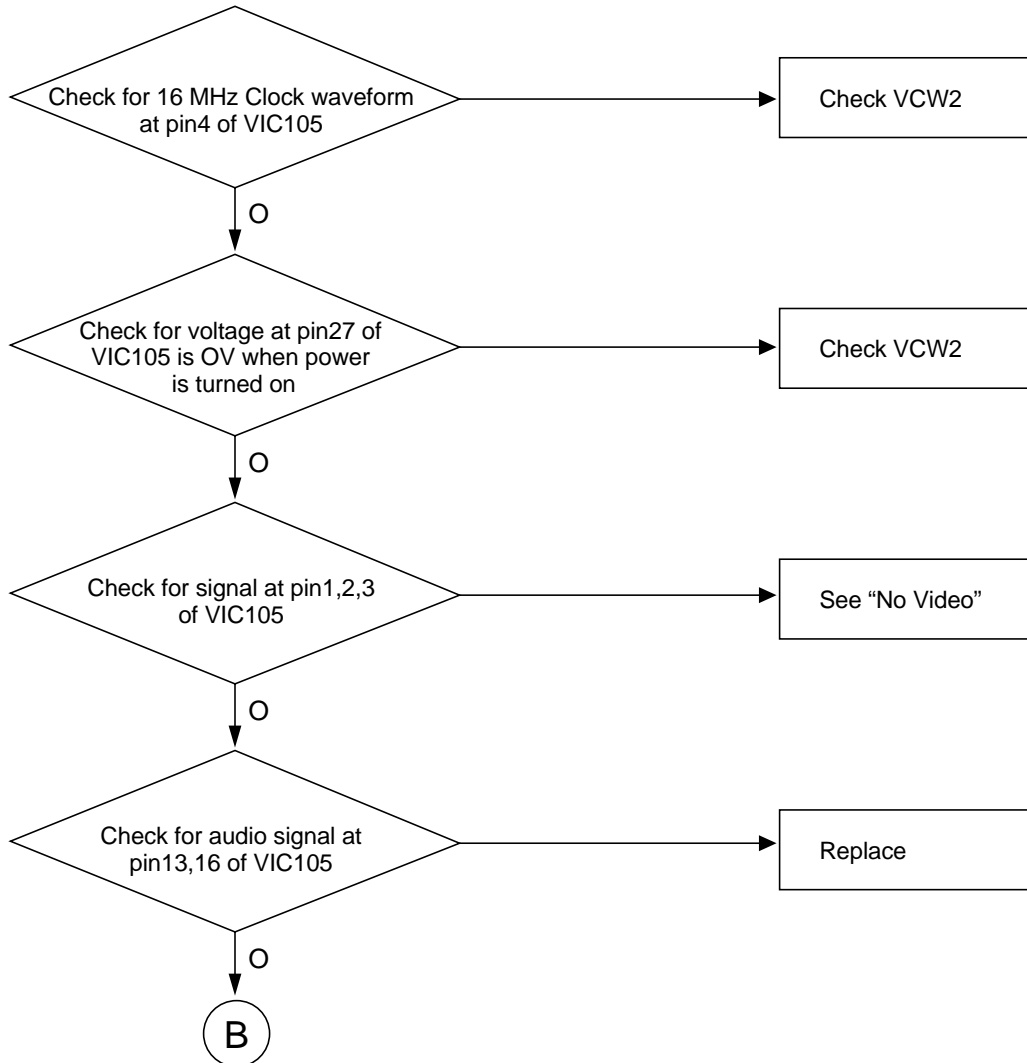
- Check all connection between VCD PCB and Main PCB
- Check all supply voltage (+8V, -8V, +5V, +3.3V)

1. No Video

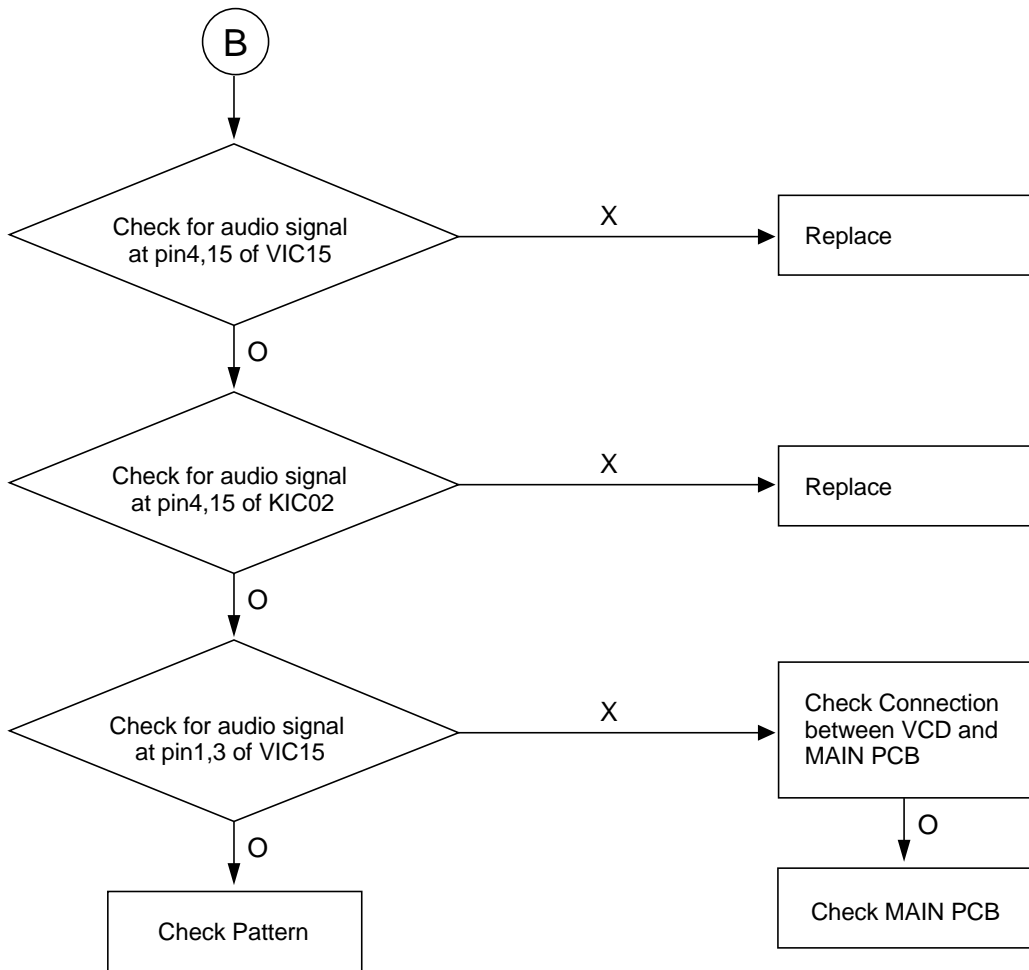


2. No Sound

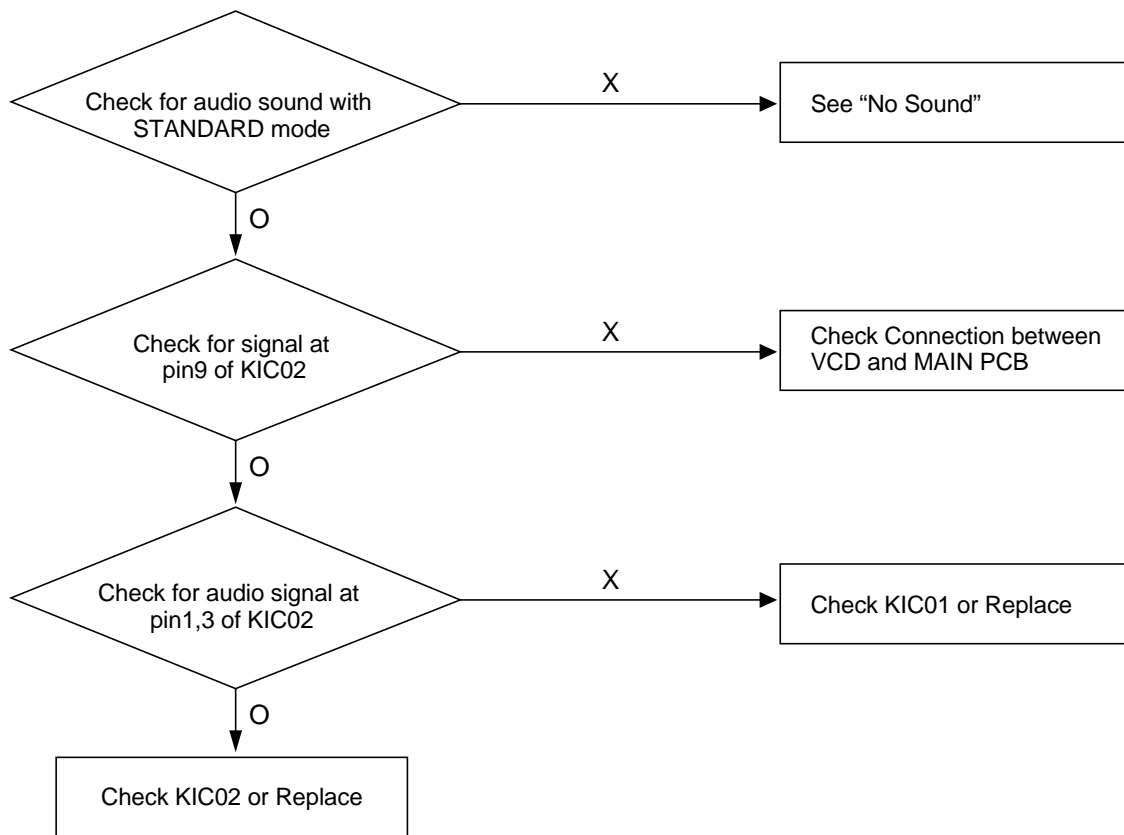
! Digital Sound (VCD1.1, VCD2.0, CD, LD Digital)



@ Analog Audio (LD Analog)



3. Voice Cancel does not work



4. Voice change does not work

